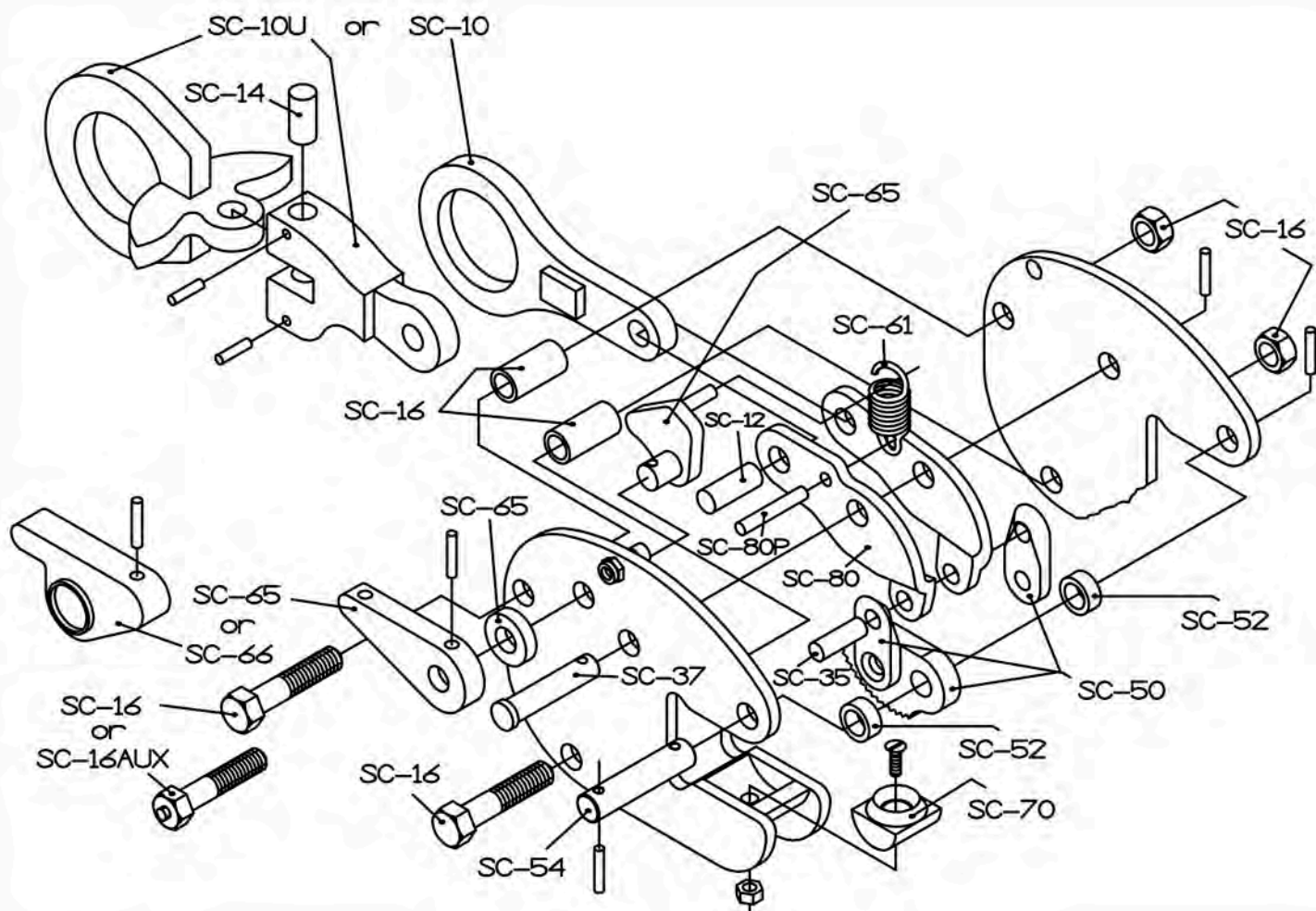
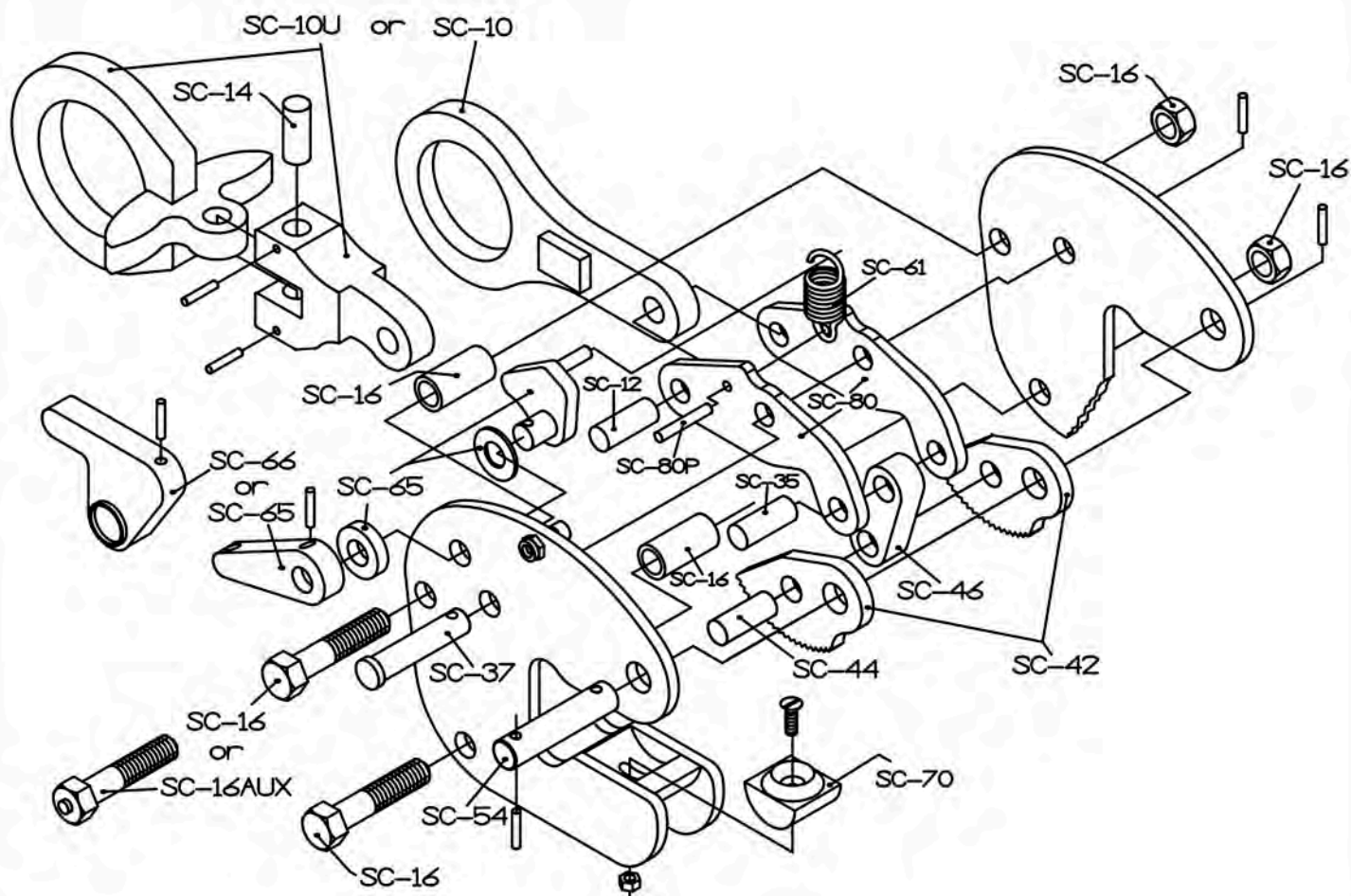


SAFETY CLAMPS MODEL VL



1/2 AND 1 TON MODELS

SAFETY CLAMPS MODEL VL



2 THROUGH 20 TON MODELS

SAFETY CLAMPS PARTS

Part Number	Parts List for All Models 1/2 through 20 Ton Capacities(excluding Models HL, HLW, HLD, and HLDW)
SC-10	Lifting Shackle
SC-10U	Universal Lifting Shackle
SC-12	Lifting Shackle Pin
SC-14	Universal Lifting Shackle Pin
SC-16	Body Bolt Assembly (1 spacer, bolt, and nut)
SC-16AUX	Body Bolt Assembly for Auxiliary Locking Clamp (1 spacer, bolt, and nut)
SC-35	Connecting Yoke-Link Pin
SC-37	Connecting Yoke Body Pin w/ Roll Pin
SC-42	Gripping Cams (pair) for all models 2 through 20 ton except Model VLSJ
SC-42ST	Stainless Gripping Cams (pair) for all models 2 through 20 ton except Model VLSJ
SC-44	Gripping Cam-Link Pin
SC-46	Gripping Cam Connecting Link
SC-50	Gripping Cam Assembly for all models 1/2 & 1 ton, 2 ton/pair Model HL-Lock, & 2 ton Model VLSJ
SC-50ST	Stainless Gripping Cam Assembly for all models 1/2 & 1 ton, 2 ton/pair Model HL-Lock, & 2 ton Model VLSJ
SC-52	Gripping Cam Spacers for all models 1/2 & 1 ton, 2 ton/pair Model HL-Lock, & 2 ton Model VLSJ
SC-54	Gripping Cam Body Pin with Roll Pins
SC-61	Lock Spring
SC-65	Lock Handle Assembly - Includes Lock, Handle, Spacer, and Roll Pins
SC-66	Auxiliary Lock Handle Assembly Includes Lock, Auxiliary Lock Handle, Spacer, and Roll Pins
SC-70	Self-aligning Gripping Pad with Bolt and Locknut
SC-70ST	Stainless Steel Self-aligning Gripping Pad with Bolt and Locknut
SC-80	Connecting Yokes (pair) and Spring Connector Pin

Repair Kits Include the Following Parts According To Model

	VL & AVL VLC & AVLC VLX & AVLX VLSJ, SBC, & VL-BC	VL & AVL with Universal Shackle	VL & AVL with Stainless Grippers	HBC HL-Lock VL-Channel	V & AV
SC-12	•	•	•	•	•
SC-14		•			
SC-35	•	•	•	•	•
SC-37	•	•	•	•	•
SC-50 or SC-42	•	•		•	•
SC-50ST or SC-42ST			•		
SC-44	•	•	•	•	•
SC-54	•	•	•	•	•
SC-61	•	•	•	•	
SC-70	•	•			•
SC-70ST			•		