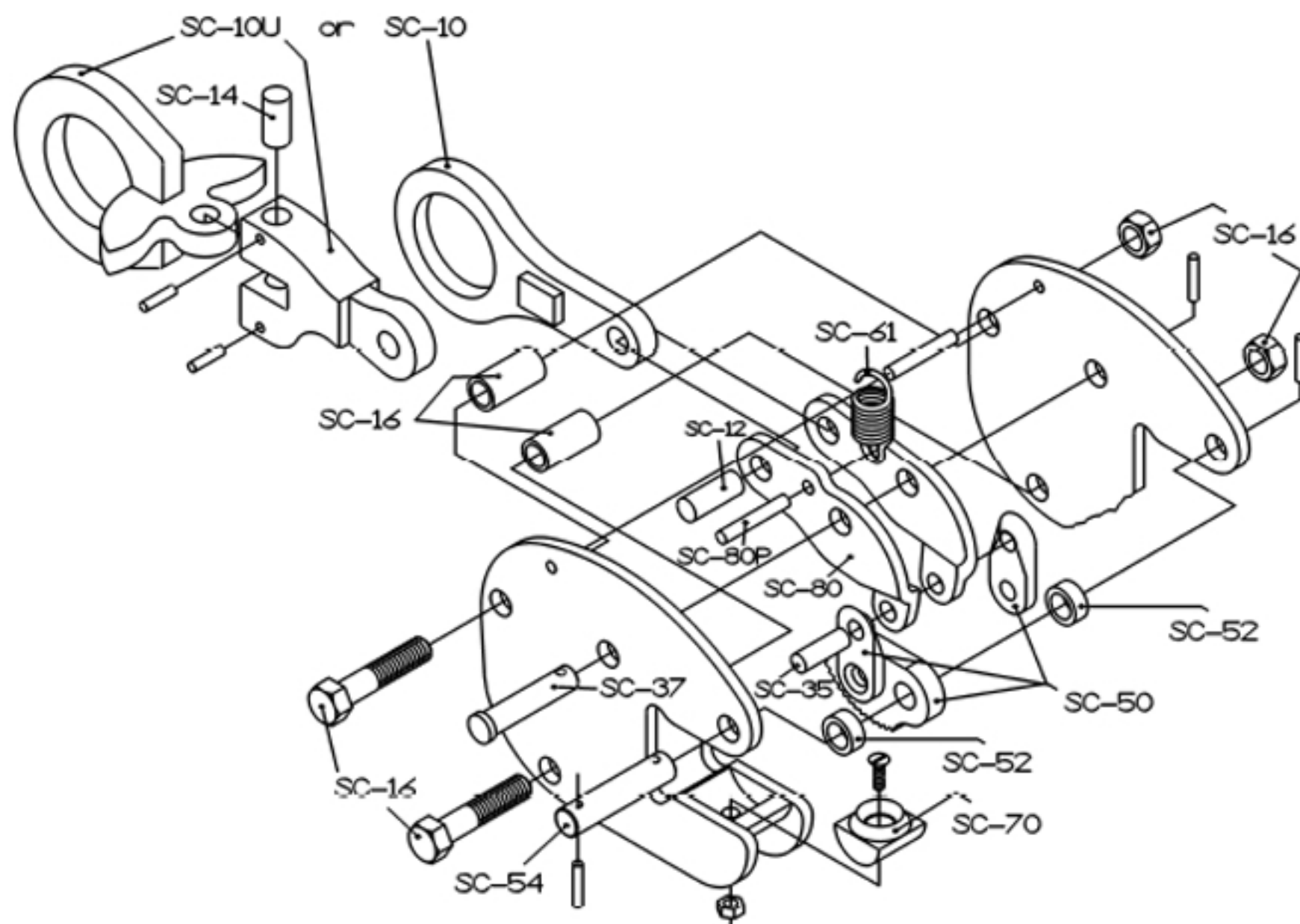
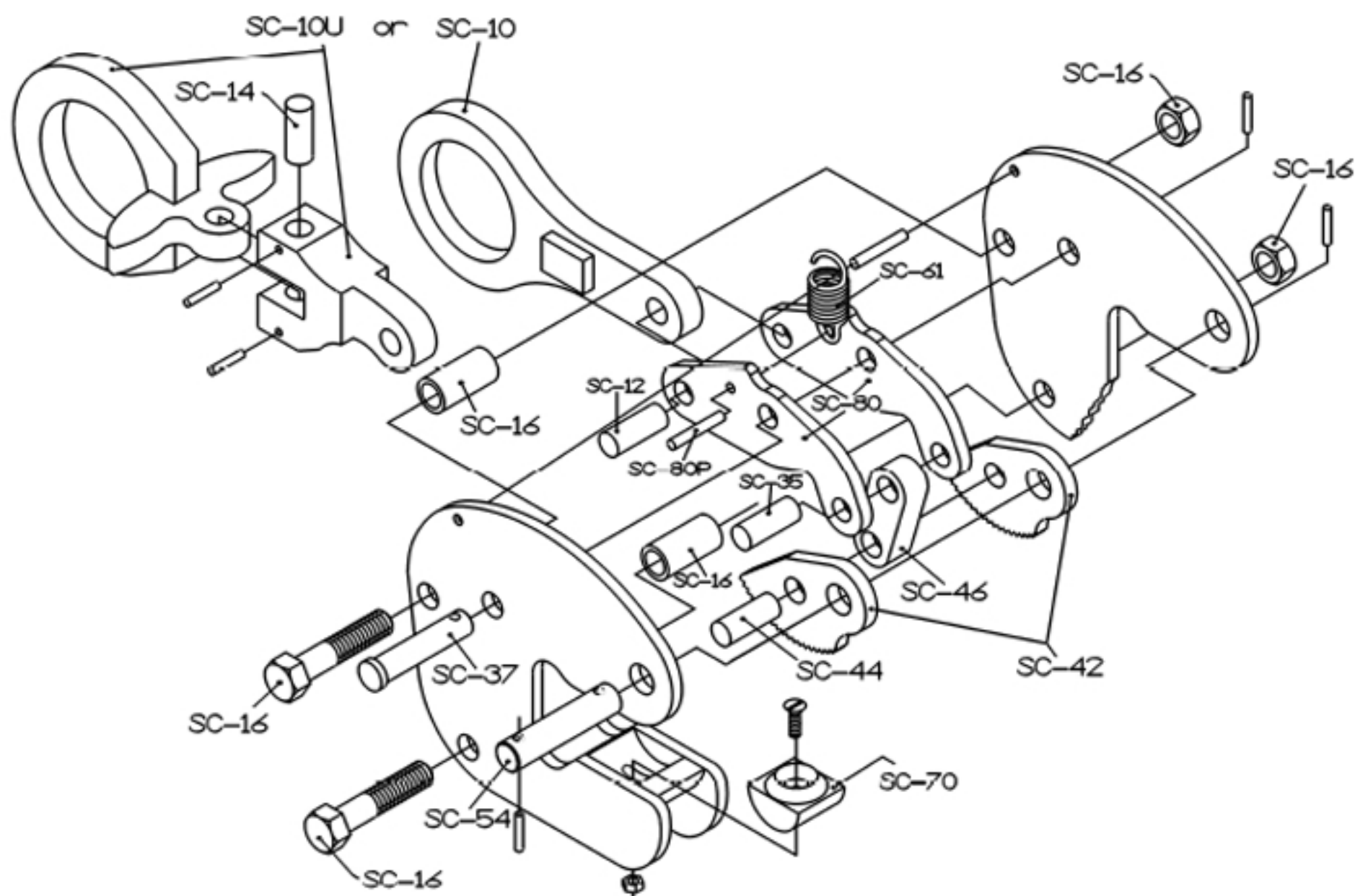


MODEL VSL



1/2 TON AND 1 TON



2 TON THROUGH 6 TON