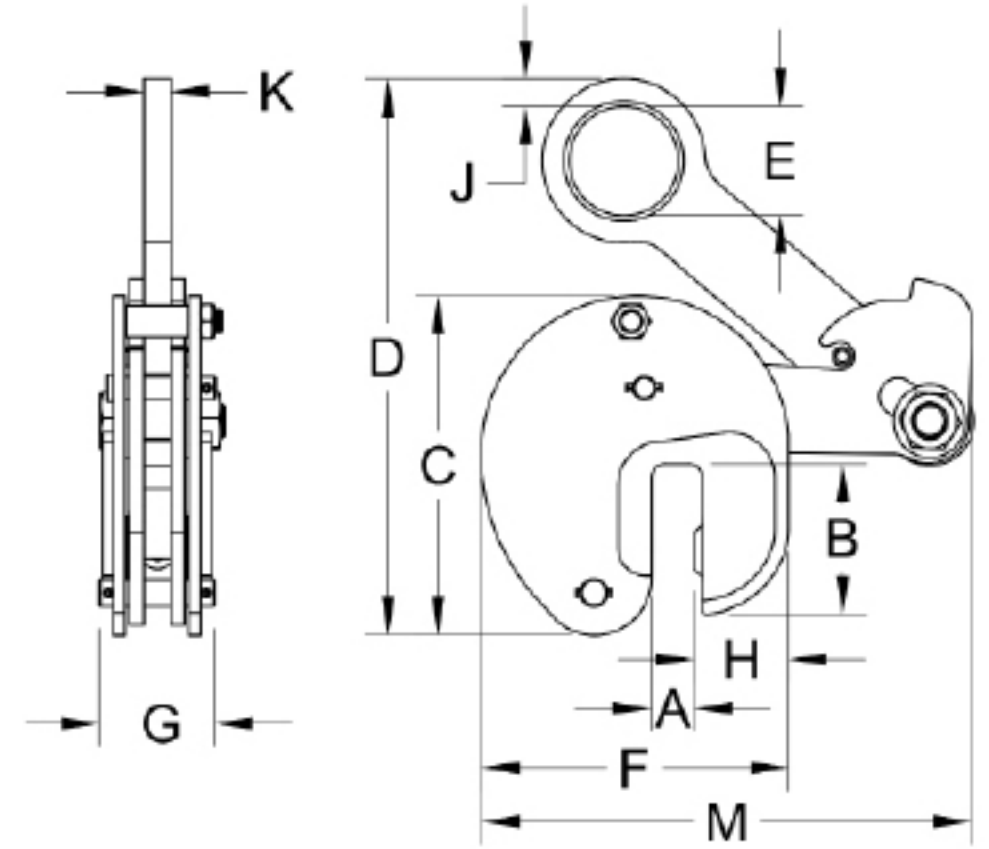


MODEL VBC-L DIMENSIONS



	1 Ton	2 Tons	3 Tons
PRT #	VBCL-1.0-A	VBCL-2.0-A	VBCL-3.0-A
A	0 - 3/4"	0 - 1"	0 - 1 1/2"
B	2 3/8"	4 1/8"	4 1/8"
C	6 5/8"	9 5/16"	9 1/2"
D MAX	16"	22"	22 1/4"
E	1 3/4"	3"	3"
F	5 5/16"	8 1/2"	8 11/16"
G	2 1/2"	3 3/8"	3 3/8"
H	1 5/8"	2 5/8"	2 5/8"
J	1/2"	3/4"	3/4"
K	1/2"	3/4"	3/4"
M MAX	10 5/8"	13 3/8"	13 3/8"
WT	9 lbs.	22 lbs.	28 lbs.